

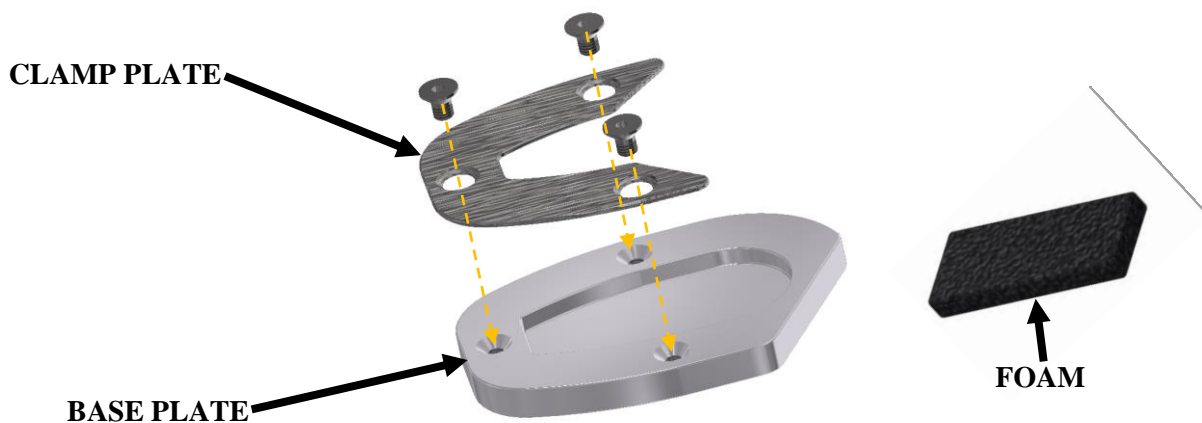


**FITTING INSTRUCTIONS FOR PKS0126SI KICKSTAND SHOE**  
**KTM 690 SMC-R 2019-/1190 ADVENTURE 2014-**

**Please note that the way the kit is packed does not necessarily represent the way of mounting to the bike.**

THE PARTS SHOWN MAY BE REPRESENTATIVE ONLY (FOR CLARITY OF INSTRUCTIONS ONLY)

Please note that in cases where kits are packed with rubber washers holding the components onto the bolt – *the rubber washers should be thrown away!*



**TOOLS REQUIRED**

- 3mm A/F Allen key.
- Small amount of Loctite Blue 242.

**FITTING INSTRUCTIONS**

- Take the machined aluminium base plate and fit to the base of the side stand from underneath.
- Take the stainless clamp plate and position on top of the aluminium base, before inserting the three M5 x 6mm long countersunk bolts, apply a small amount (one drop) of Loctite Blue 242 to the end of the threaded area of each screw, then ensure the inside edge of the clamp plate clamps down on the top of the side stand foot.
- Tighten all bolts evenly and check to ensure the side stand pad clears the chain when in the raised position.
- If fitting to older stands that have been worn the padding strip should be placed in the base plate to ensure a tighter fit.

**Digital copies of these instructions are available to download from [www.rg-racing.com](http://www.rg-racing.com)**

ISSUE 1 11/07/2019 (NSY)

**CONSUMER NOTICE**

The catalogue description and any exhibition of samples are only broad indications of the Products and R&G may make design changes which do not diminish their performance or visual appeal and supplying them in such state shall conform to the order. The Buyer acknowledges no representation or warranty (other than as to title) has been given or will apply to the Products other than those in R&G's order or confirmation and the Buyer confirms it has chosen the Products as being of merchantable quality and suitable for its particular purposes. Where R&G fits the Products or undertakes other services it shall exercise reasonable skill and care and rectify any fault free of charge unless the workmanship has been disturbed. The Buyer is responsible for ensuring that the warranty on the motorcycle is not affected by the fitting of the Products. On return of any defective Products R&G

R&G

Unit 1, Shelley's Lane, East Worldham, Alton, Hampshire, GU34 3AQ  
 Tel: +44 (0)1420 89007 Fax: +44 (0)1420 87301 [www.rg-racing.com](http://www.rg-racing.com) Email: [info@rg-racing.com](mailto:info@rg-racing.com)



shall at its option either supply a replacement or refund the purchase money but shall not be liable if the Products have been modified or used or maintained otherwise than in accordance with R&G's or manufacturer's instructions and good engineering practice or if the defect arises from accident or neglect. Other than identified above and subject to R&G not limiting its liability for causing death and personal injury, it shall not be liable for indirect or consequential loss and otherwise its liability shall be limited to the amounts paid by the Buyer for the Products or the fitting or service concerned. These terms do not affect the Buyer's statutory rights.

#### **R&G RACING RETURNS POLICY (NON-FAULTY GOODS)**

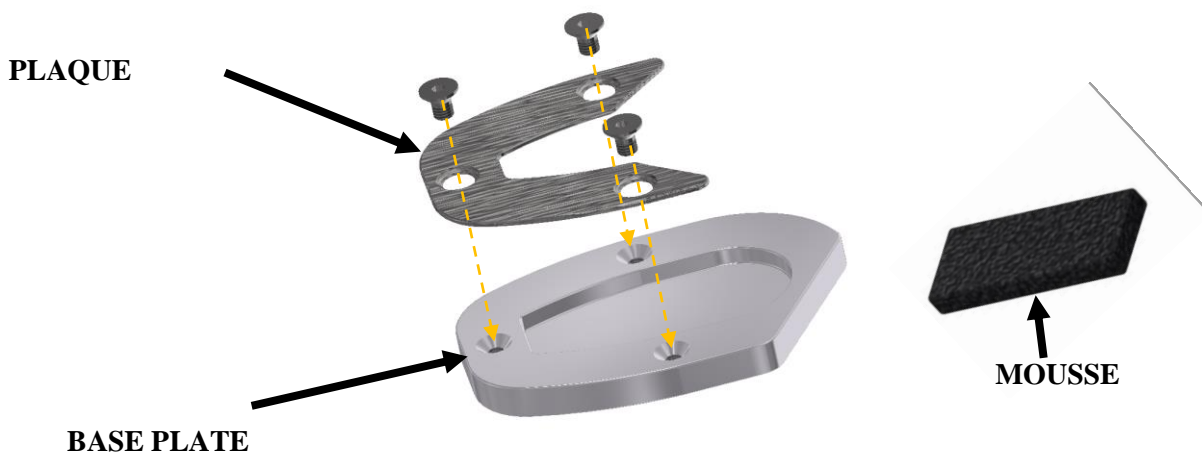
Returns must be pre-authorized (if not pre-authorized the return will be rejected). Goods may only be returned direct to us if they were purchased direct from us (customer must prove if necessary). Otherwise to be returned to original vendor. Goods must be in re-sellable condition, in the opinion of R&G Racing. All returns are subject to a 25% restocking and handling fee (25% of the gross value exc. P&P – at the prevailing price at time of purchase). The customer must pay any and all carriage charges. No returns of discontinued products, unless within 14 days of purchase. This policy does not affect your statutory rights and does not refer to faulty goods.

### **NOTICE DE MONTAGE POUR PKS0126SI PIED DE BEQUILLE** **KTM 690 SMC-R 2019-/1190 ADVENTURE 2014-**

**Le kit contient les articles exposés ci-dessous, vérifier que toutes les pièces soient présentes avant de procéder au montage.**

**LES PARTIES PRESENTÉES PEUVENT ETRE UNIQUEMENT REPRESENTATIVES (POUR LA CLARTE DES INSTRUCTIONS UNIQUEMENT)**

Notez que si les kits sont emballés avec des rondelles en caoutchouc servant à tenir les composants, *ces rondelles doivent être jetées !*



#### **OUTILS REQUIS**

- Clé Allen 3mm.
- Un peu de Loctite Blue 242.

R&G

Unit 1, Shelley's Lane, East Worldham, Alton, Hampshire, GU34 3AQ  
Tel: +44 (0)1420 89007 Fax: +44 (0)1420 87301 [www.rg-racing.com](http://www.rg-racing.com) Email: [info@rg-racing.com](mailto:info@rg-racing.com)



## NOTICE DE MONTAGE

- Prenez la base plate en aluminium usinée et fixez-la à la base du pied latéral par le dessous.
- Prenez la plaque de fixation en acier inoxydable et positionnez-la sur la base en aluminium. Avant d'insérer les trois boulons M5 x 6 mm de long, appliquez une petite quantité (une goutte) de Loctite Blue 242 sur la partie filetée de chaque vis, puis assurez-vous que le bord intérieur de la plaque de fixation se fixe au dessus du pied du support lateral.
- Serrez tous les boulons de manière uniforme et assurez-vous que le patin du support latéral soit dégagé de la chaîne lorsqu'il est en position relevé.
- If fitting to older stands that have been worn the padding strip should be placed in the base plate to ensure a tighter fit.
- Si vous souhaitez installer le pied de béquille sur des supports usés plus anciens, la bande de rembourrage doit être placée dans la plaque de base pour assurer un meilleur ajustement.

Notice disponible au téléchargement sur [www.rg-racing.com](http://www.rg-racing.com)

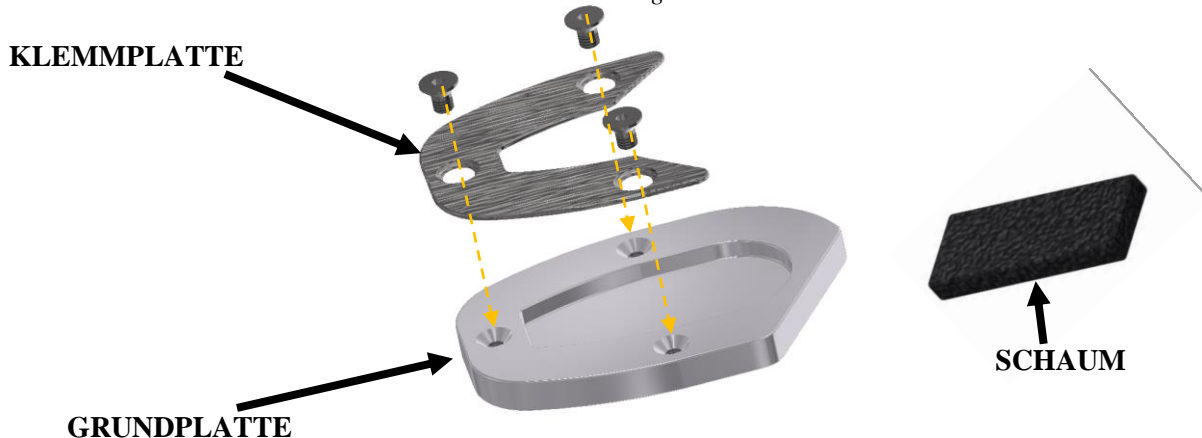
ISSUE 1 11/07/2019 (NSY)

## MONTAGEANLEITUNG FÜR PKS0126SI SEITENSTÄNDER- AUFLAGENVERBREITERUNG KTM 690 SMC-R 2019-/1190 ADVENTURE 2014-

**Hinweis: Die Verpackung der Teile stellt nicht die Reihenfolge der Montage dar.**

DIE UNTEN ABGEBILDETEN TEILE DIENEN LEDIGLICH ZUR ERKLÄRUNG

Hinweis für Kits mit Plastikunterlegscheiben an den Schrauben – *Diese Plastikunterlegscheiben werden nicht für den Einbau benötigt!*



R&G

Unit 1, Shelley's Lane, East Worldham, Alton, Hampshire, GU34 3AQ  
Tel: +44 (0)1420 89007 Fax: +44 (0)1420 87301 [www.rg-racing.com](http://www.rg-racing.com) Email: [info@rg-racing.com](mailto:info@rg-racing.com)



**SIE BENÖTIGEN FOLGENDES WERKZEUG**

- 3mm Inbusschlüssel
- Schraubensicherung Loctite Blue 242

**MONTAGEANLEITUNG**

- Nehmen Sie die Grundplatte aus Aluminium und montieren Sie sie an der Unterseite des Seitenständerfuß.
- Die Klemmplatte auf die Aluminium-Grundplatte legen, und die drei M5 x 6mm Senkschrauben einsetzen. Eine kleine Menge (einen Tropfen) Schraubensicherung (blau) am Ende des Schraubengewindes der Schrauben anbringen. Überprüfen Sie dann, dass die Innenkante der Klemmplatte die Oberfläche des Seitenständerfußes einklemmt.
- Ziehen Sie alle Schrauben fest und überprüfen Sie, dass die Kette nicht von der Auflagen-Verbreiterung berührt wird, wenn der Seitenständer eingeklappt ist.
- Bei der Montage an älteren Seitenständern, die etwas abgenutzt sind, den Schaumstoffstreifen in der Grundplatte anbringen, um die Passform zu verbessern.

**Eine digitale Version dieser Montageanleitung kann auf folgender Seite heruntergeladen werden:**

[www.rg-racing.com](http://www.rg-racing.com)

AUSGABE 1 11/07/2019 (NSY)